

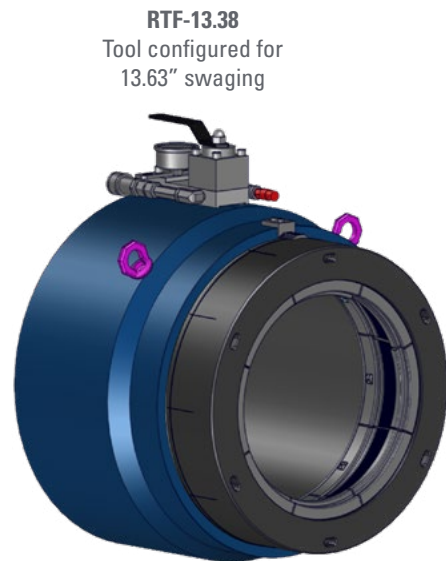


RTF™ Radial Tubular Forming Tool

Volant RTF tool's are designed for both crimping and swaging operations. These tools use a hydraulic actuated piston and collet system to induce a radial compressive load that reduces the diameter of tubular product to create either a crimp or an end swage. Collet sets are designed for optimal performance and are specific to the tubular size and application.

The RTF tool's simple architecture, result in a solid and robust tool that is portable and easy to handle; ideal for use in the field or a shop environment. For applications that may require a tight crimp or swage tolerance, a fine adjustment mechanism enables precise control of the final crimp or swage diameter.

Base Tool Characteristics		RTF-13.38	RTF-13.38XS
Housing OD	in (mm)	20.9 (535)	20.9 (535)
Overall Length ^{1,2}	in (mm)	18.7 (475)	
Base Tool Weight	lbs (kg)	545 (248)	540 (245)
Diametrical Stroke	in (mm)	0.414 (10.50)	0.535 (13.50)
Maximum Radial Force ³	lbf (kN)	TBD	TBD
Piston Bore Diameter	in (mm)	13.8 (355)	13.8 (355)
Maximum Pressure Capacity	psi (MPa)	5,000 (34.4)	7,500 (51.7)
Base Tool PN		105638	105740



RTF-13.38
Tool configured for
13.63" swaging

Collet Size Specific Characteristics⁴

Nominal Collet Size ⁵		Collet Style	Collet Part No.	Bell Part No.	Bell Adaptor Part No.	Approximate Dressed Tool Weight	
(in)	(mm)					(lbs)	(kg)
13.63 ⁶	346.2	Crimp	105642	105408	N/A	852	387
13.38	339.9	Crimp	82037	82038/105408	N/A	890	404
9.88	250.9	Crimp	82078	81230	81231	810	368
9.63	244.6	Crimp	80062	81230	81231	814	370
8.63	219.2	Crimp	80186	81230	81231	830	377
7.63	193.8	Crimp	80070	81230	81231	846	384
7.0	177.8	Crimp	80063	81230	81231	856	389

RTF-13.38XS
Tool configured for
13.63" crimping



Collet Size Specific Characteristics⁴

Nominal Collet Size ⁵		Collet Style	Approximate Dressed Tool Weight	
(in)	(mm)		(lbs)	(kg)
13.63	346.2	Swage	680	309
13.38	339.9	Swage	685	311
10.75	273.1	Swage	800	363
9.63	244.6	Swage	815	370
8.63	219.2	Swage	830	377
7.63	193.8	Swage	840	382
7.0	177.8	Swage	850	386
6.63	168.4	Swage	860	391
5.5	139.7	Swage	875	397

1. Overall Length is shown for base tool equipped with the most common bell, part number 81230.
2. Actual formed length depends on adequate stroke and load capacity.
3. For details on radial force requirements for crimping or swaging contact Volant customer support at +1 780.784.7098
4. Common collet sizes shown, for any other collet sizes, profile or pipe diameters contact Volant customer support.
5. Components can be developed for configurations not shown.
6. To crimp with 13.63 in. collet size, the RTF-13.38XS, a higher pressure capacity RTF is required. Contact Volant sales for more information +1 780.784.7099.

*Volant® is a registered trademark of Volant Products Inc. RTF™ is a trademark of Noetic Technologies Inc.

